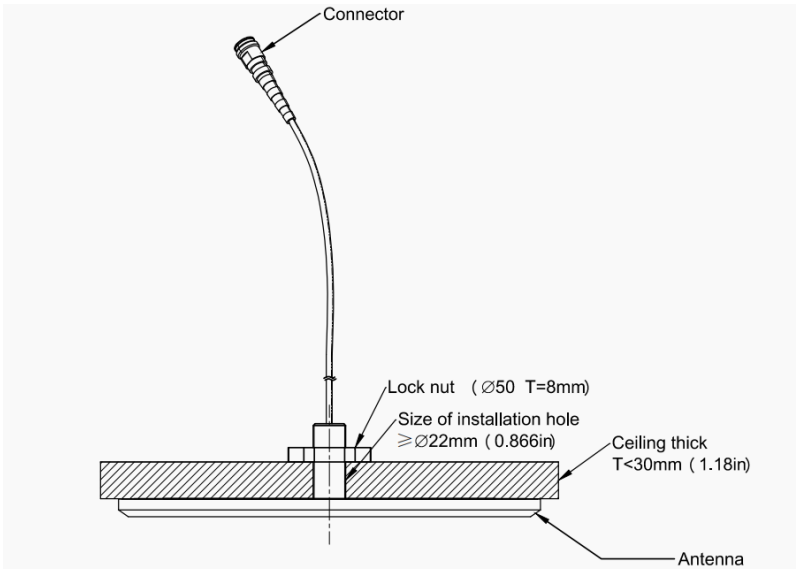


## INSTALLATION INSTRUCTION FOR VD-OUS-43-UWI53

### Important Installation Information

- Please read the complete description before starting the installation.
- Cable bending radius must not be less than 40 mm, and do not bend the cable more than 15 times in a row.
- For optimal operation, this antenna should **NOT** be mounted to a **metallic ceiling/surface**.

### Installation Overall View



### Installation Steps

- 1) Drill a hole in the ceiling with the diameter shown above.
- 2) Remove the lock nut from the antenna.
- 3) Insert the antenna cables through the ceiling hole.
- 4) Reinstall the lock nut so that it is close-fitting to the ceiling.

### Online Support

Scan the QR code to submit tickets:



Copyright © 2026 ANDREW®, an Amphenol company. All Rights Reserved.

Amphenol and ANDREW are registered trademarks of Amphenol and/or its affiliates in the U.S. and other countries. All product names, trademarks and registered trademarks are property of their respective owners.

Andrew Wireless Systems GmbH, 26-March-2026