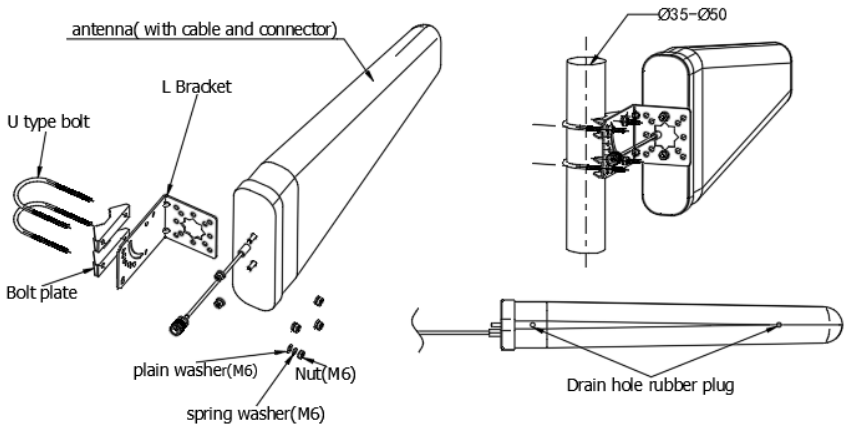


## INSTALLATION INSTRUCTION FOR CMAX-YG-CPUSEW-I53



### Installation Steps

- 1) The L clamp is installed on the antenna body with the nut (M6).
- 2) The U type bolt and bolt plate are fixed on the pole.
- 3) Install the antenna body with the L clamp on the U type bolt on the pole, then fix it with nuts.
- 4) When the antenna is installed outdoors, please pull out the rubber plug at the bottom of the antenna.

**Note:** The cable bending radius must not be less than 40 mm.

<b>Version</b>	<b>Changes</b>	<b>Release Date</b>
M0153A9A		18-May-2020
M0153A9B	- Rebranding and contact data updated; editorial update	28-April-2026

### Online Support

Scan the QR code to submit tickets:

